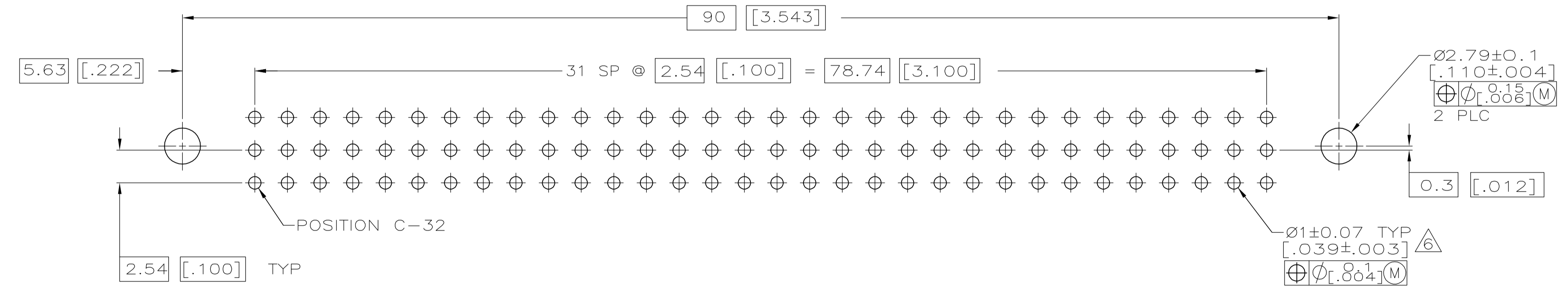
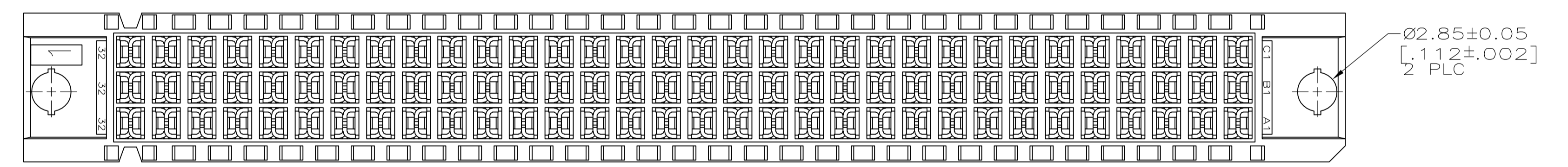
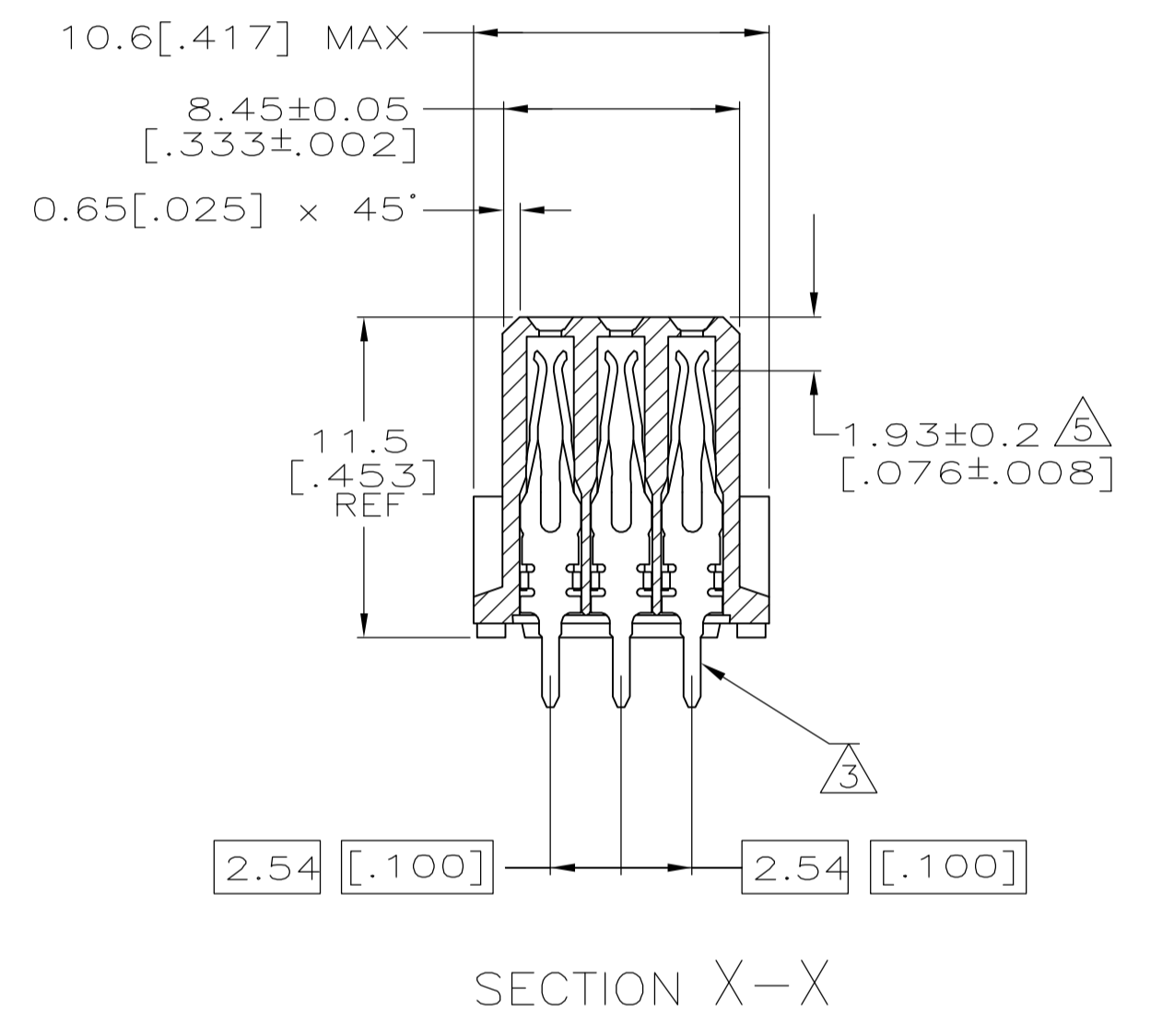
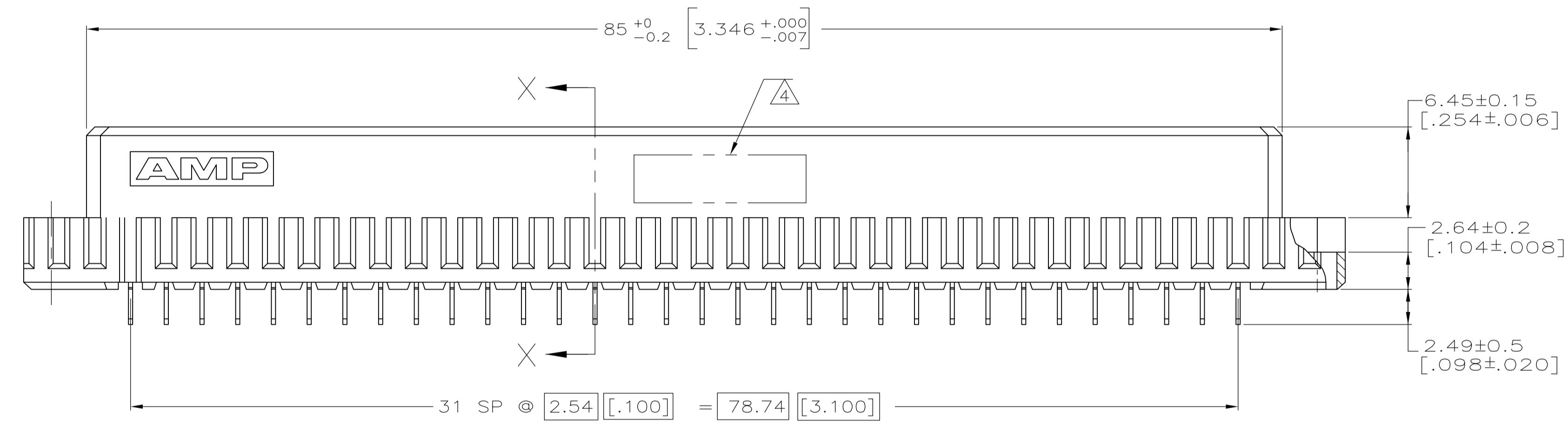
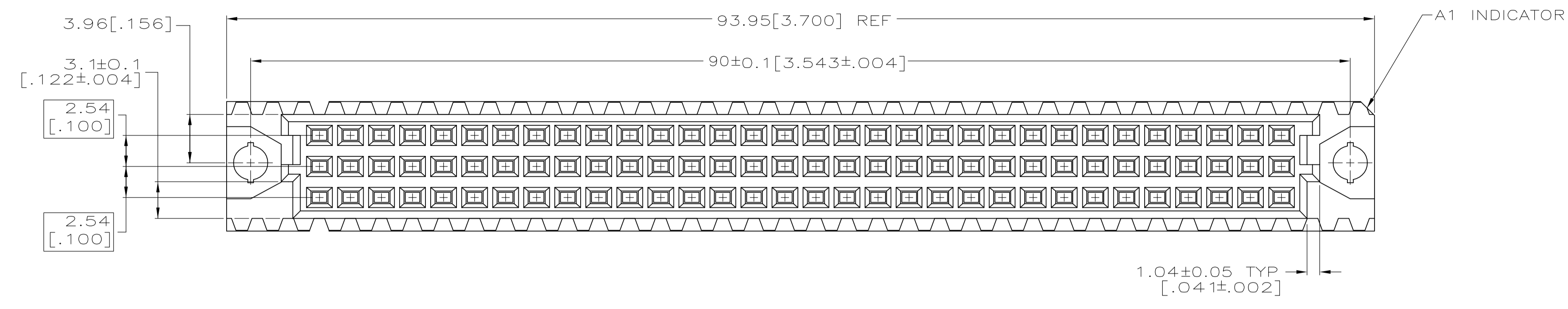


LOC		DIST		REVISONS			
AD	25	REV	DATE	BY	APP'D		
0		RELEASED PER EC	0512-0082-05	27MAY05	JDP	AMS	

- 1 HOUSING MATERIAL: GLASS-FILLED POLYMER.
- 2 CONTACT MATERIAL: COPPER ALLOY.
- 3 CONTACT FINISH: DIN 41612 CLASS 2 IN CONTACT AREA. TIN PLATE ON POSTS.
- 4 PART NUMBER, DATE CODE IDENTIFICATION, CSA LOGO IN THIS APPROXIMATE AREA, ON REVERSE SIDE.
- 5 CONTACT POINT.
- 6 RECOMMENDED HOLE SIZE FOR MANUAL APPLICATION OF CONNECTOR ONTO PC BOARD.



1 THRU 32	X	X	X	96	535089-5
POSITIONS LOADED	C	B	A	NO. OF LOADED POSITIONS	ASSY PART NUMBER
				ROWS LOADED	

THIS DRAWING IS A CONTROLLED DOCUMENT.		DIN J. POLIGNONE 27MAY05	 Tyco Electronics Corporation Harrisburg, Pa 17105-3608
DIMENSIONS: mm [INCHES]		GIK A. SHARPE 27MAY05	
TOLERANCES UNLESS OTHERWISE SPECIFIED:		APVD A. SHARPE 27MAY05	NAME
0 PLC ± -			ASSEMBLY, RECEPTACLE, EUROCARD, TYPE C, LEAD-FREE, 96 POSITION, 2.49 [.089] SOLDER POSTS
1 PLC ± -			PRODUCT SPEC
2 PLC ± -			APPLICATION SPEC
3 PLC ± 0.13 [.005]			SIZE
4 PLC ± -			WEIGHT
ANGLES ± -			CAGE CODE
			DRAWING NO
			RESTRICTED TO
			SCALE
			SHEET
			REV
			CUSTOMER DRAWING